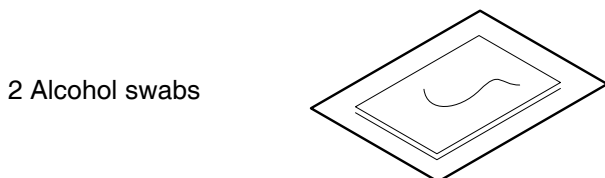
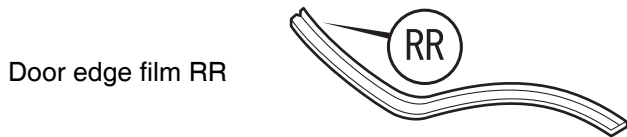
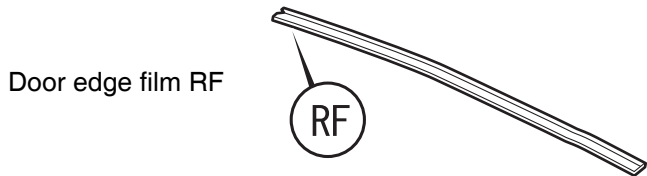
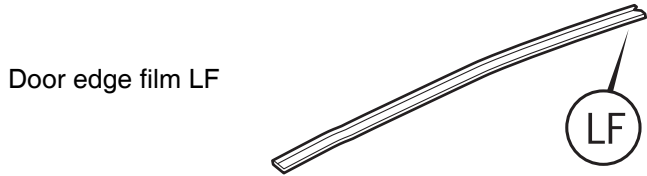


PARTS LIST



TOOLS AND SUPPLIES REQUIRED

- Lint-free shop towel
- Spray bottle
- 3M Protective tape application solution (P/N 08712-0008)
- Tape measure
- Scissors

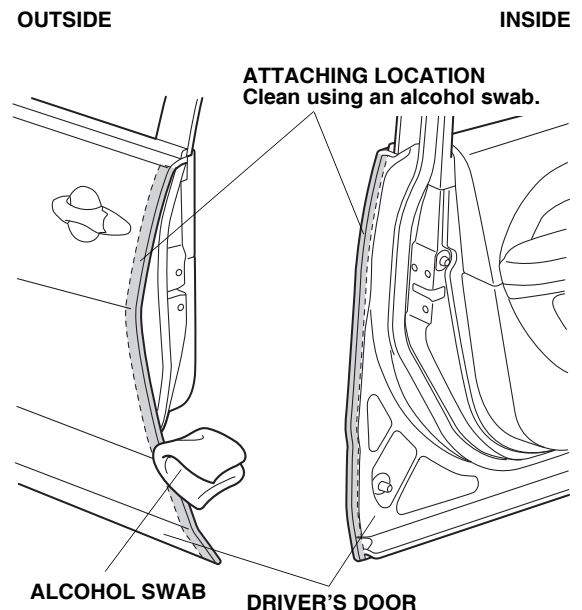
INSTALLATION

NOTE:

- If you are also installing body side moldings (sold separately), install them before you install the door edge films.
- These instructions show the left door edge films being installed. The same procedure applies to installing the right door edge films.
- Identify each door edge film by referring to the identification marks.
- Be careful not to damage the paint finish.
- This door edge films kit should be installed only if the ambient air temperature is 15°C (60°F) or above.
- To allow the adhesive to cure, do not wash the vehicle for 24 hours. Please advise your client.

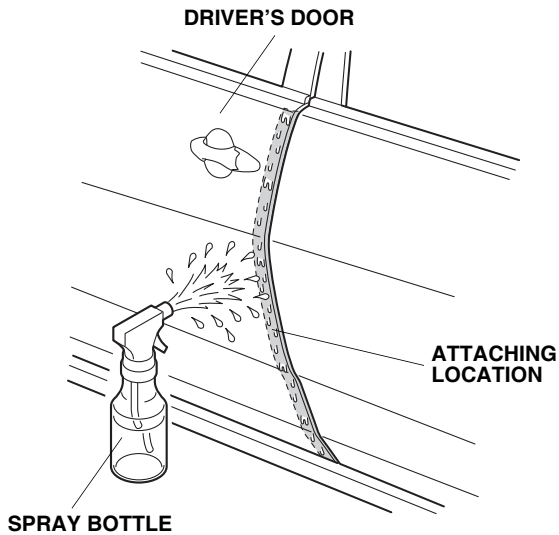
Installing the Front Door Edge Film

1. Open the driver's door. Using an alcohol swab, thoroughly clean the area where the left front door edge film will attach.



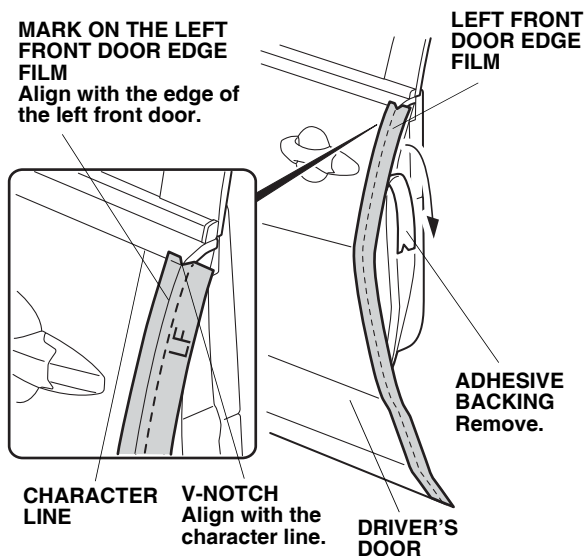
- Close the driver's door. Using a spray bottle with 3M protective tape application solution, spray the area where the door edge film will attach.

NOTE: Do not spray the inside of the door.



If the vehicle is equipped with body side moldings, go to step 5. If not, continue to step 3.

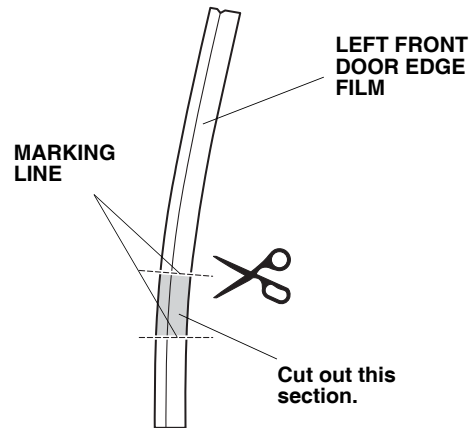
- Open the driver's door again. Peel back about 50 mm (2 in.) of adhesive backing from the left front door edge film. Align the V-notch in the door edge film with the end of the character line on the upper part of the driver's door.



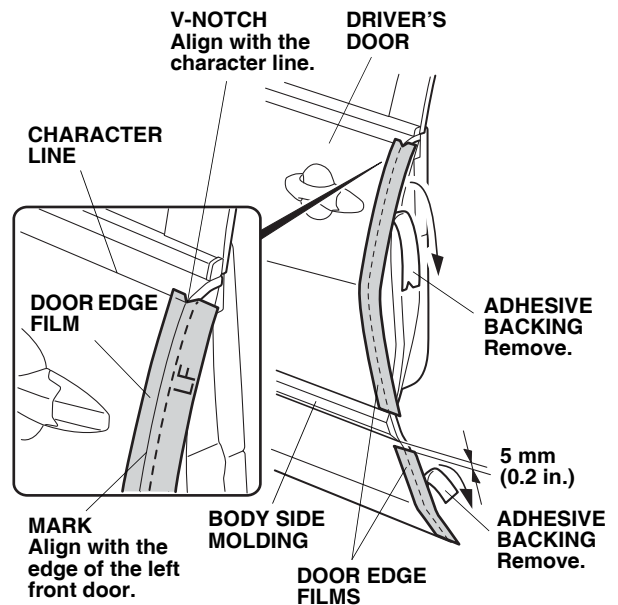
- Continue to remove the adhesive backing while you align the mark on the left front door edge film with the edge of the driver's door. Go to step 9.

With Body Side Moldings

- Open the driver's door again. Using scissors, cut the left front door edge film as shown.

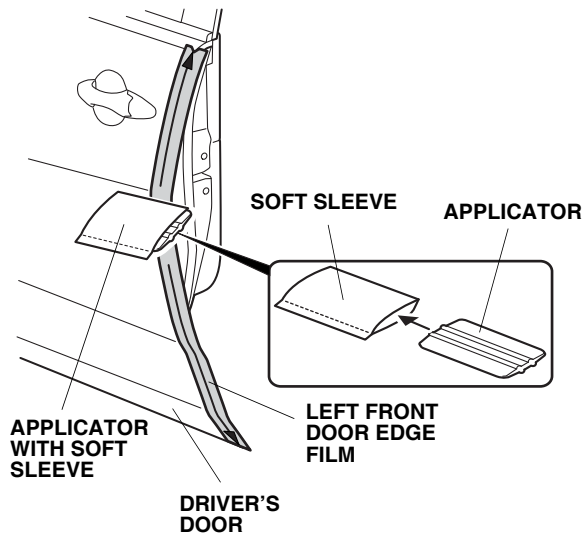


- Partially peel back the adhesive backing from the upper part of the left front door edge film. Align the V-notch in the upper part of the door edge film with the end of the character line on the driver's door.

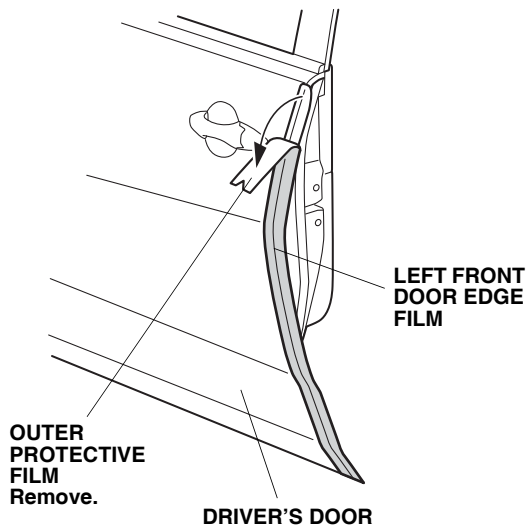


- Partially peel back the adhesive backing from the lower piece of the door edge film, and attach the film 5 mm (0.2 in.) below the body side molding as shown.
- Continue to remove the adhesive backings while you align the mark on the upper part and lower part of door edge film with the edge of the driver's door.

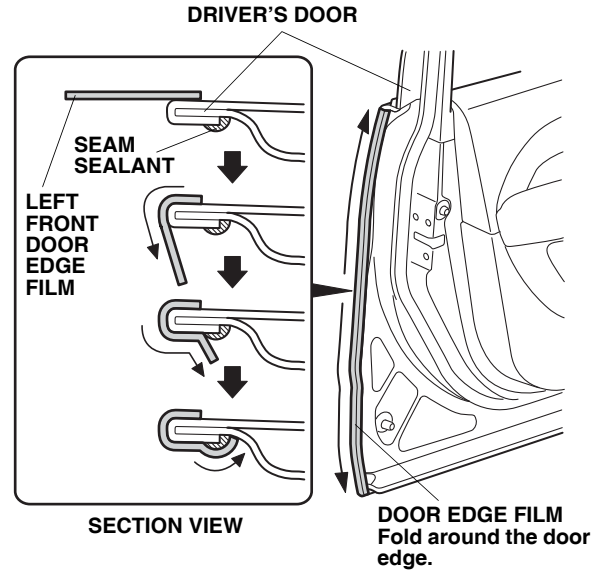
- Insert the applicator into the soft sleeve. Starting in the middle of the door edge film and working outward, use the applicator to smooth out any bubbles from the door edge film. To avoid lifting the door edge film, move the applicator in only one direction.



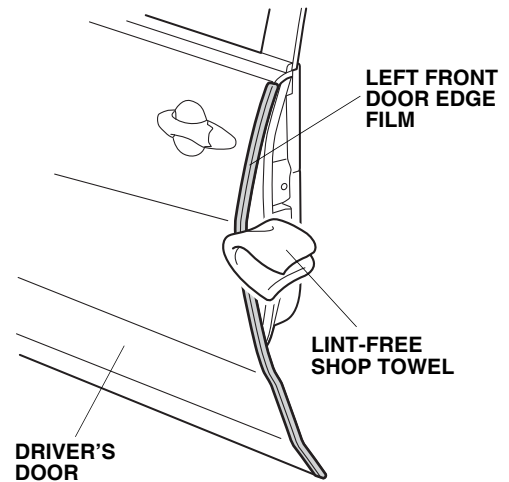
- When you are satisfied that the door edge film is firmly attached to the edge of the driver's door, slowly remove the outer protective film.



- Starting in the middle of the door edge film and working outward, use your fingers to fold the door edge film around the edge of the driver's door. Move your fingers in one direction. Attach the door edge film over the seam sealant. Do not trim or damage the seam sealant.



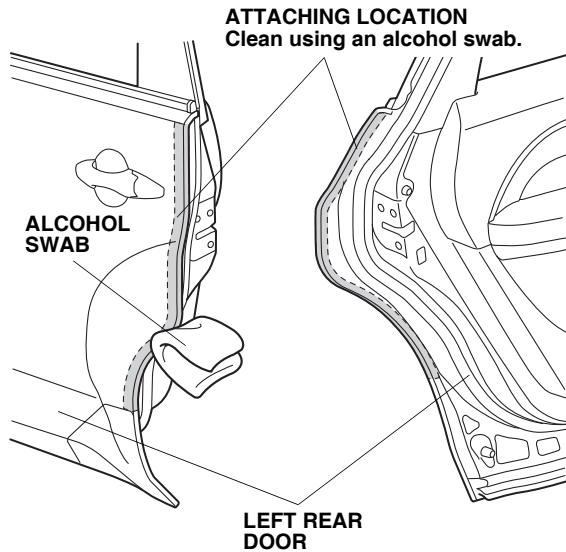
- Using a lint-free shop towel, wipe up any excess water from the door edge film. Allow the door edge film to dry thoroughly.



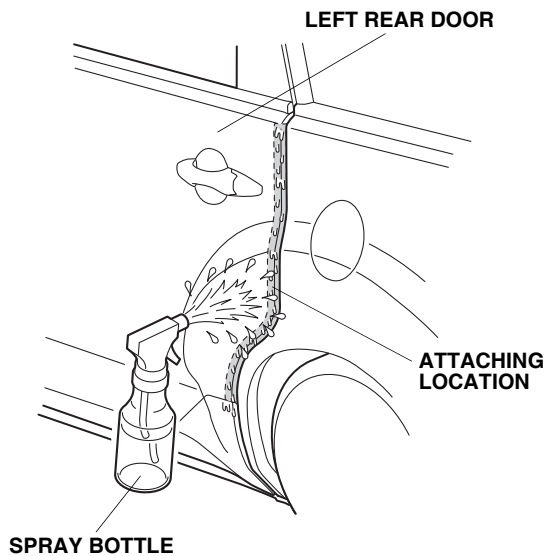
- Repeat steps 1 thru 12 to install the right front door edge film on the right front door.

Installing the Rear Door Edge Film

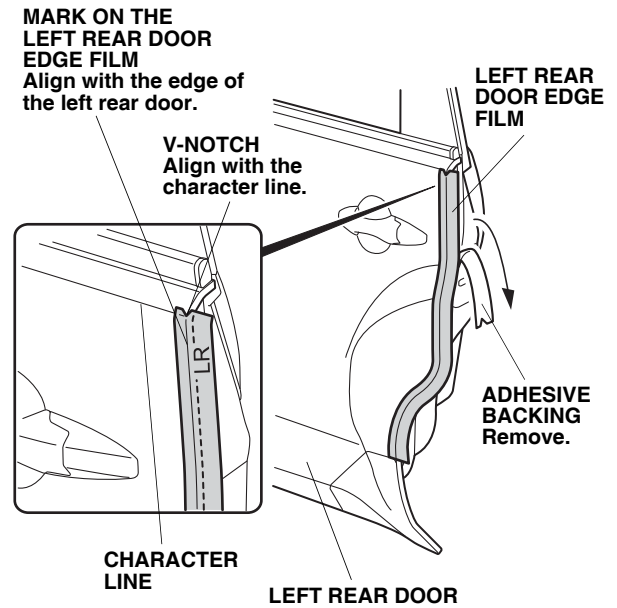
14. Open the left rear door. Using an alcohol swab, thoroughly clean the area where the left rear door edge film will attach.



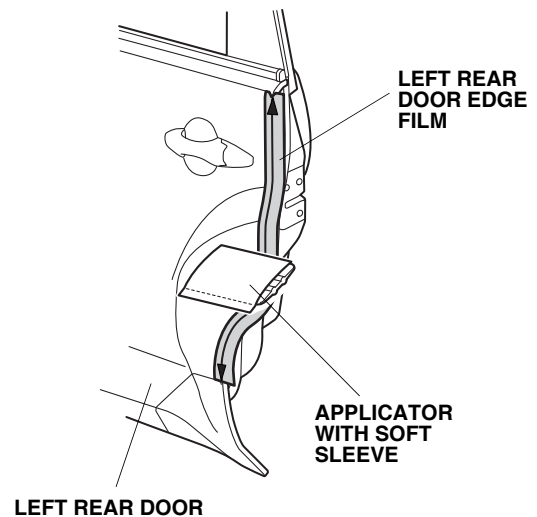
15. Close the left rear door. Using a spray bottle with 3M protective tape application solution, spray the area where the door edge film will attach.
NOTE: Do not spray the inside of the door.



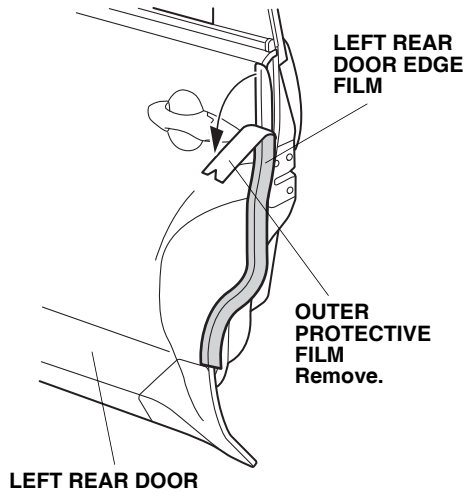
16. Open the left rear door again. Peel back about 50 mm (2 in.) of adhesive backing from the left rear door edge film. Align the V-notch in the door edge film with the end of the character line on the upper part of the left rear door.



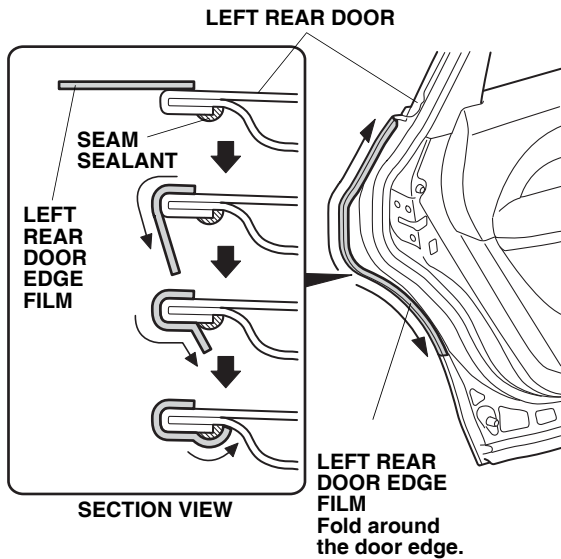
17. Continue to remove the adhesive backing while you align the mark on the door edge film with the edge of the left rear door.
18. Starting in the middle of the door edge film and working outward, use the applicator to smooth out any bubbles from the door edge film. To avoid lifting the door edge film, move the applicator in only one direction.



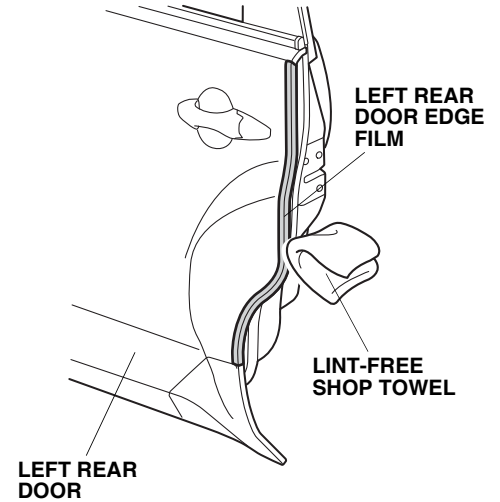
19. When you are satisfied that the left rear door edge film is firmly attached to the edge of the left rear door, slowly remove the outer protective film.



20. Starting in the middle of the door edge film and working outward, use your fingers to fold the door edge film around the edge of the left rear door. Move your fingers in one direction. Attach the door edge film over the seam sealant. Do not trim or damage the seam sealant.



21. Using a lint-free shop towel, wipe up any excess water from the door edge film. Allow the door edge film to dry thoroughly.



22. Repeat steps 14 thru 21 to install the right rear door edge film on the right rear door.